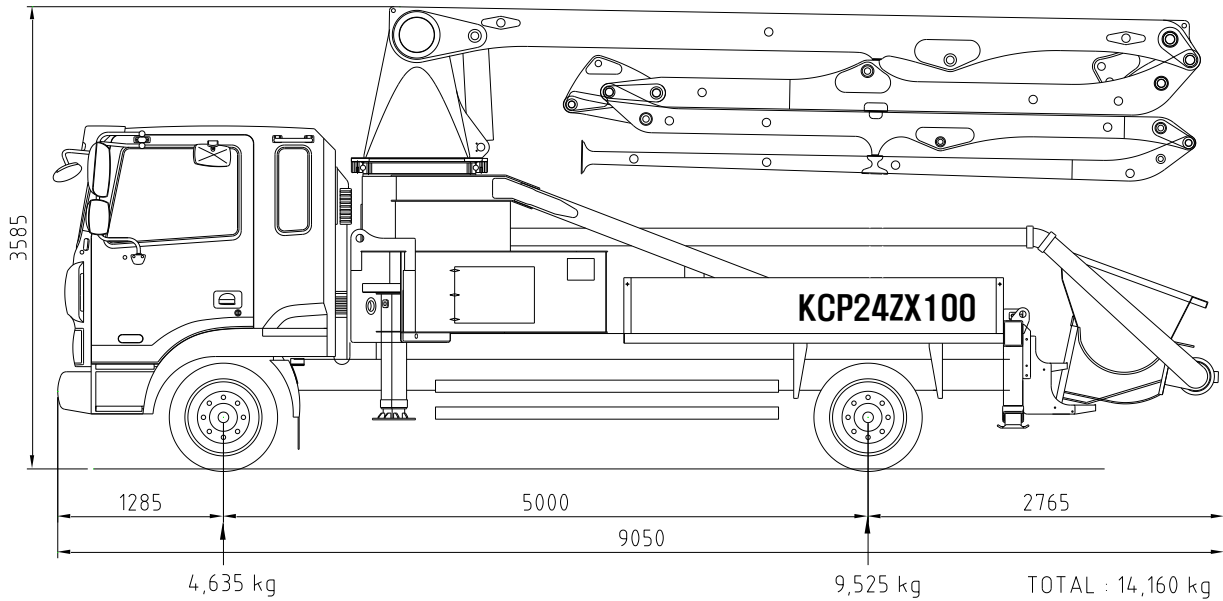


Our Pride ...

# KCP24ZX100



## Boom specifications

Vertical reach	23.2M
Horizontal reach	19.8M
Reach from front of truck	17.3M
Unfolding height	5.4 M
Section articulation	94°/180°/260°/250°
Rotation	370°
Delivery line	125 mm
Proportional boom	Yes
End hose length	3M
Outrigger spread-front	5.6 M
Outrigger spread-rear	2.65 M
Max.outrigger weight	11,000kg

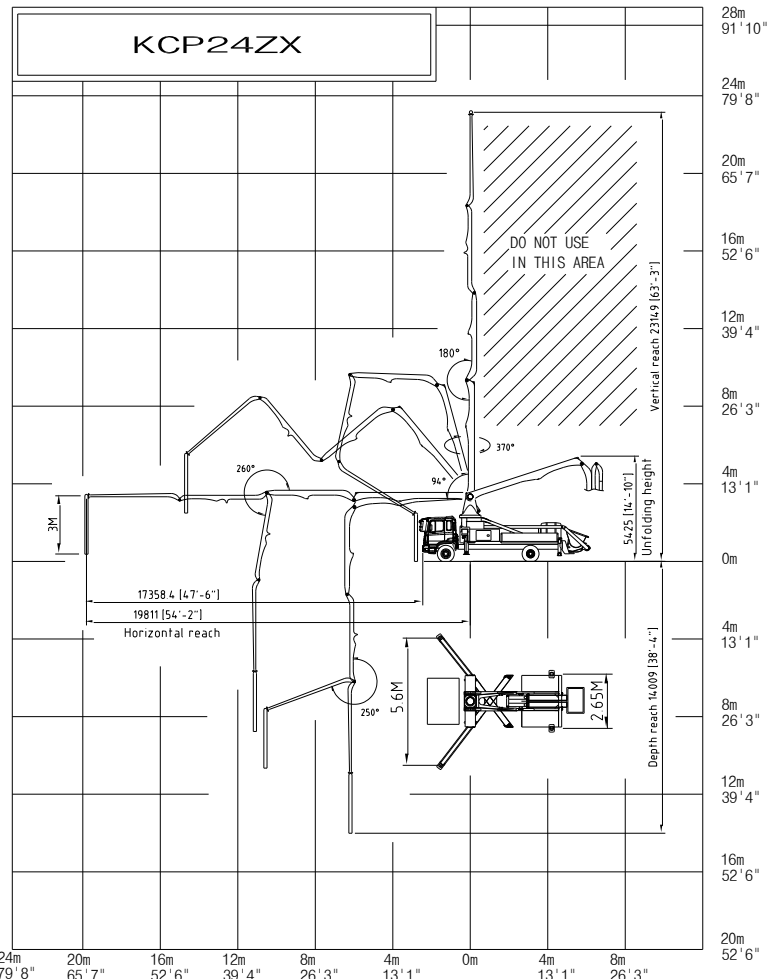
⊙ Truck specifications : HYUNDAI – HD7T (260PS, EURO5)

⊙ Maximum theoretical values listed.

⊙ Photos and drawings are for illustrative purpose only

⊙ Right to make technical amendments reserved

## Working diagram



## Pump specifications

Maximum output	90 m³/h
Concrete cylinder	Ø230×1400
Stroke per minute	28
Concrete pressure	69 bar
Hopper capacity	0.6 m³
S-tube	Ø200×Ø180
Hydraulic pump	KCP - K3V180S
Cycling system	Hydraulic with manual overrides
Max. aggregate size	40 mm