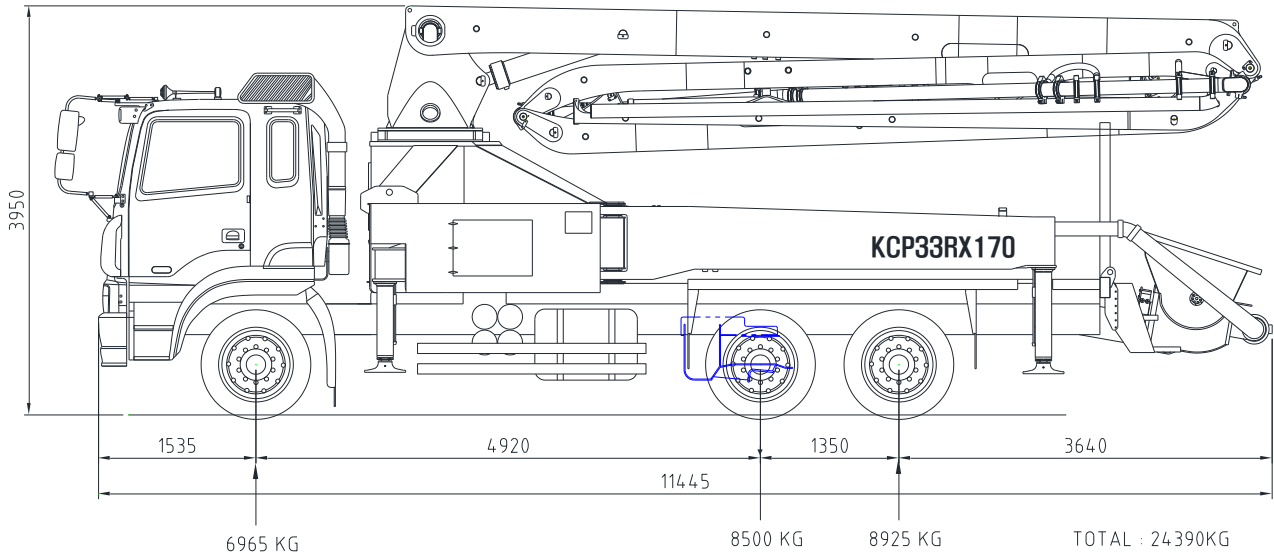


Our Pride ...

KCP33RX170

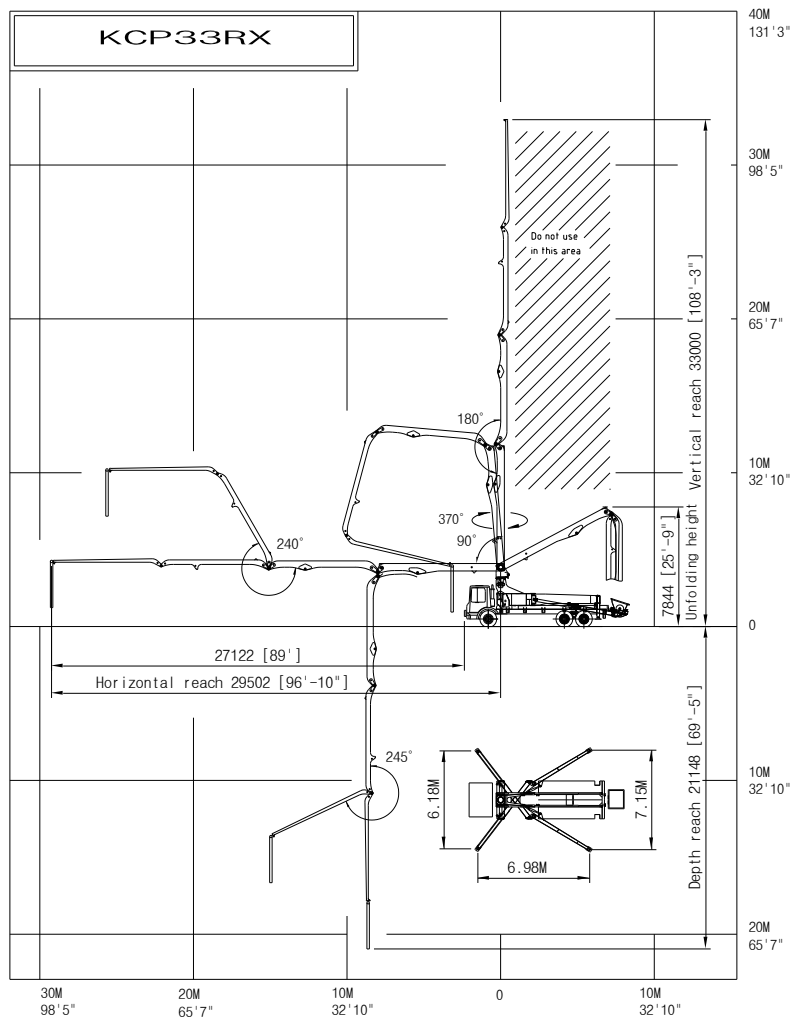


▣ Boom specifications

Vertical reach	33M	(108'3")
Horizontal reach	29.5M	(96' 10")
Reach from front of truck	27.1M	(89')
Unfolding height	7.85M	(25'9")
Section articulation	92°/180°/240°/245°	
Rotation	370°	
Delivery line	125 mm	(5")
Proportional boom	Yes	
End hose length	4M	(13')
Outrigger spread-front	6.18 M	(20'3")
Outrigger spread-rear	7.15 M	(23'5")
Max.outrigger weight	19,500kg	(42,991 lbs)

- ⊙ Truck specifications : HYUNDAI - 8ton (WB6270)
- ⊙ Maximum theoretical values listed.
- ⊙ Photos and drawings are for illustrative purpose only
- ⊙ Right to make technical amendments reserved

▣ Working diagram



▣ Pump specifications

Maximum output	170 m³/h	(222yd³/h)
Concrete cylinder	Ø230×2100	(9"×83")
Stroke per minute	32	
Concrete pressure	72 bar	(1044psi)
Hopper capacity	0.6 m³	(21 ft³)
S-tube	Ø200×Ø180	(8"×7")
Hydraulic pump	KCP - K3V180DT	
Cycling system	Hydraulic with manual overrides	
Max. aggregate size	40 mm	(1 1/2")