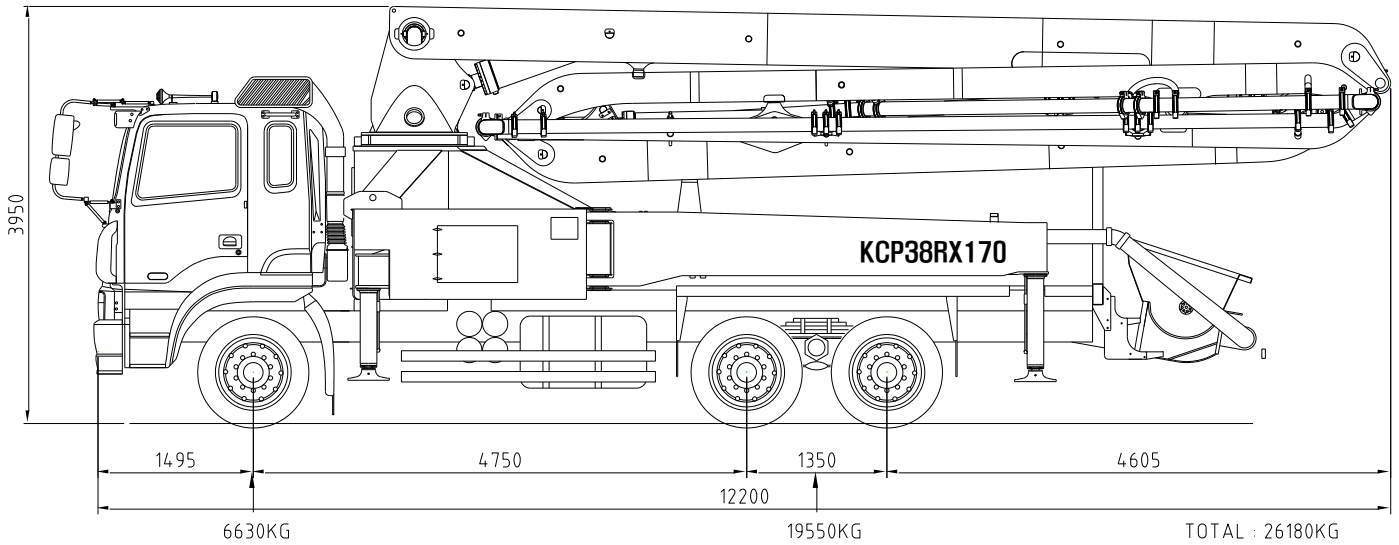


Our Pride ...

KCP38RX170



▣ Boom specifications

Vertical reach	37.9 M
Horizontal reach	34.2 M
Reach from front of truck	31.6 M
Unfolding height	9.4 M
Section articulation	94°/180°/240°/245°
Rotation	370°
Delivery line	125 mm
Proportional boom	Yes
End hose length	3M
Outrigger spread-front	6.18 M
Outrigger spread-rear	7.15 M
Max.outrigger weight	23,500kg

▣ Pump specifications

Maximum output	170 m³/h
Concrete cylinder	Ø230×2100
Stroke per minute	32
Concrete pressure	72 bar
Hopper capacity	0.6 m³
S-tube	Ø200×Ø180
Hydraulic pump	KCP - K3V180DT
Cycling system	Hydraulic with manual overrides
Max. aggregate size	40 mm

- ◎ Truck specifications : HYUNDAI - 16ton TRAGO (400ps,EURO5)
- ◎ Maximum theoretical values listed.
- ◎ Photos and drawings are for illustrative purpose only
- ◎ Right to make technical amendments reserved

▣ Working diagram

