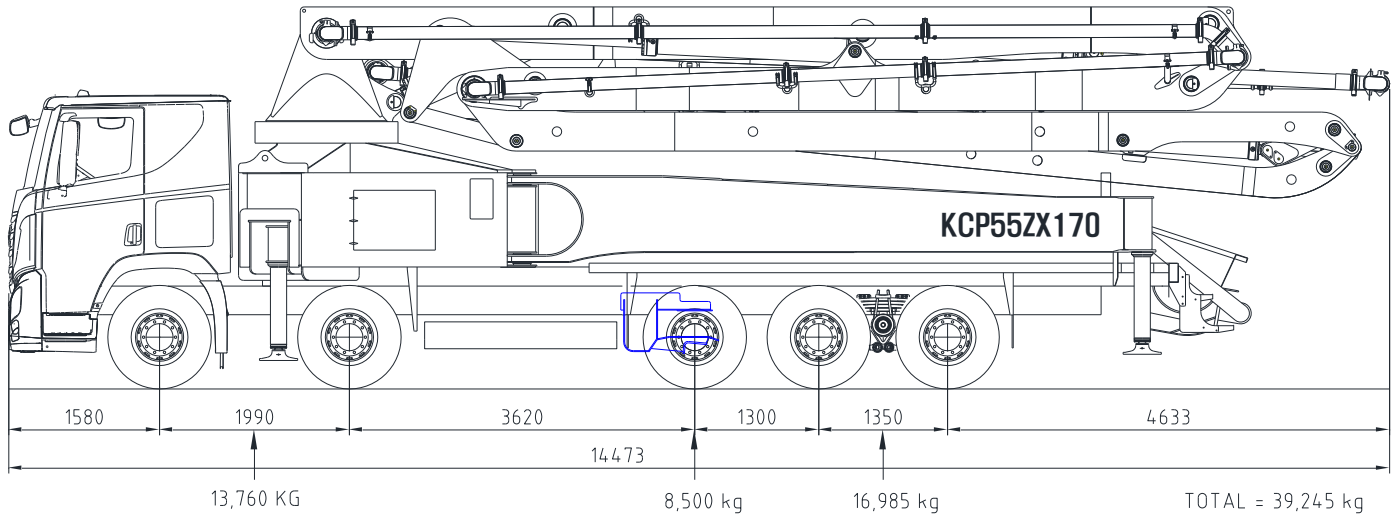


Our Pride ...

KCP55ZX170

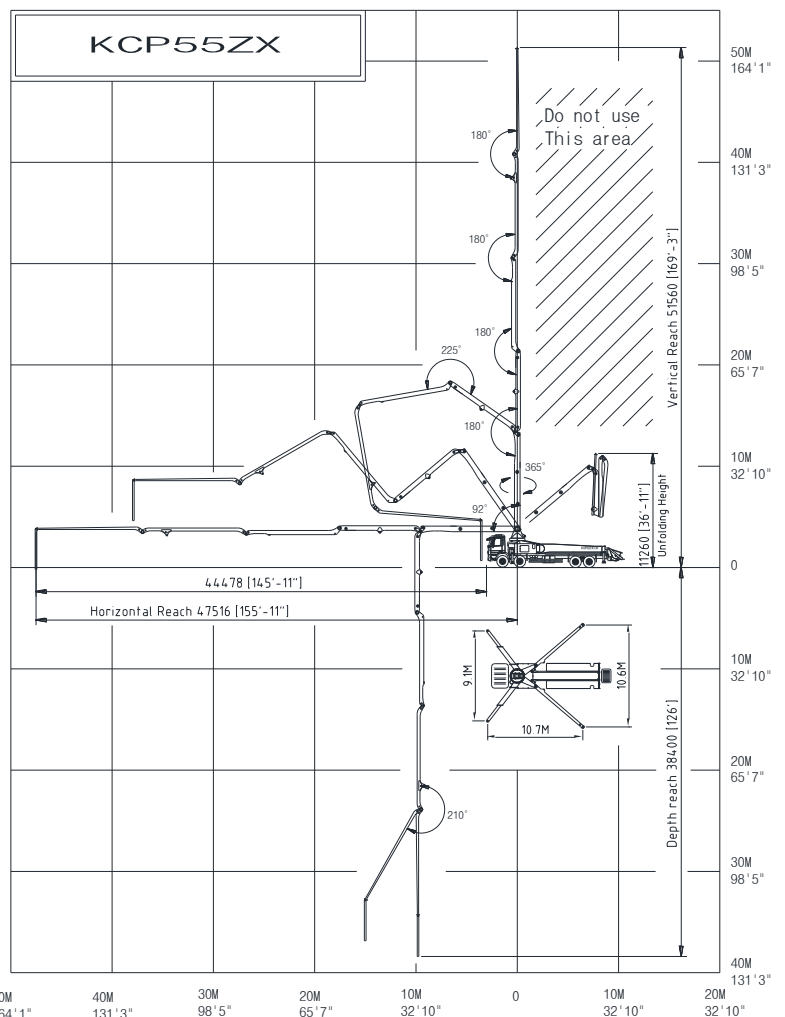


Boom specifications

Vertical reach	51.3M
Horizontal reach	47.5M
Reach from front of truck	44.5M
Unfolding height	11.3M
Section articulation	92°/180°/225°/180°/210°
Rotation	370°
Delivery line	125 mm
Proportional boom	Yes
End hose length	3.5M
Outrigger spread-front	9.1 M
Outrigger spread-rear	10.6 M
Max.outrigger weight	33,500kg

- ⊙ Truck specifications : HYUNDAI-25TON TRAGO XCIENT(520PS,EURO6)
- ⊙ Maximum theoretical values listed.
- ⊙ Photos and drawings are for illustrative purpose only
- ⊙ Right to make technical amendments reserved

Working diagram



Pump specifications

Maximum output	170 m ³ /h
Concrete cylinder	Ø230×2100
Stroke per minute	32
Concrete pressure	87.5 bar
Hopper capacity	0.6 m ³
S-tube	Ø200×Ø180
Hydraulic pump	KCP - K3V180DT
Cycling system	Hydraulic with manual overrides
Max. aggregate size	40 mm