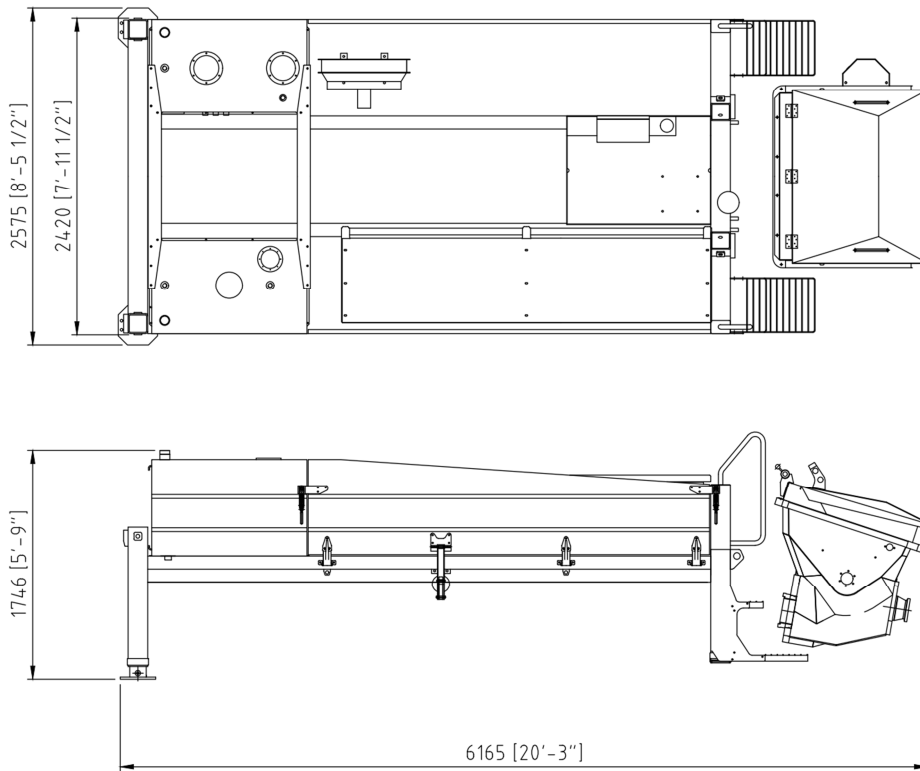
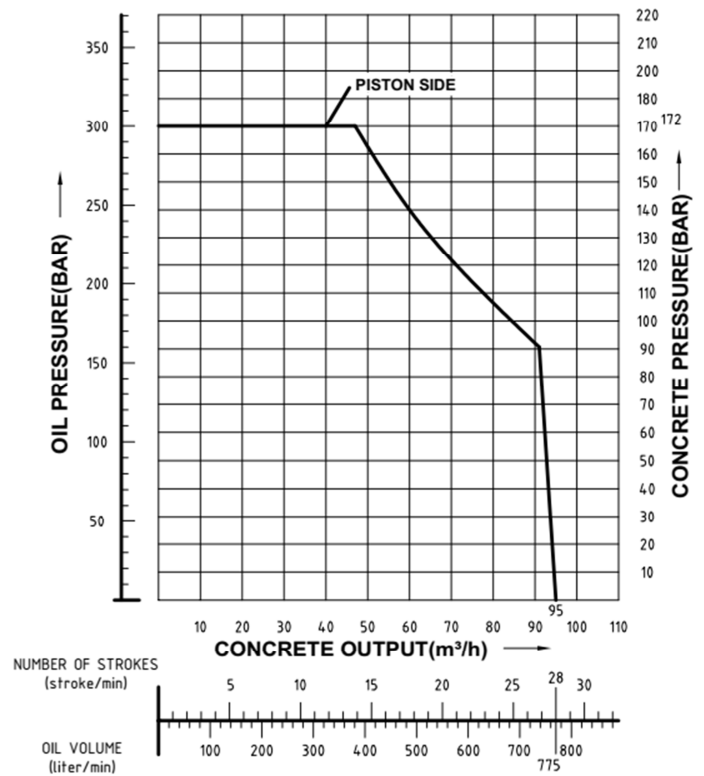


KML1714



<div style="display: flex; justify-content: space-between;"> ■ Pump specifications ■ Performance diagram </div>	
Maximum output	95 [m ³ /h]
Concrete pressure	172 [bar]
Stroke per minute	27
Main cylinder	Ø140/ Ø80×1800ST
Concrete cylinder	Ø200×1800ST
S-tube	Ø200×Ø180
Hopper capacity	0.6 [m ³]
TRUCK RPM	1550 [rpm]
Hydraulic pump	Kawasaki 200DT
Max. aggregate size	40[mm]
Vertical distance	245 [M]
Horizontal distance	430 [M]
Weight(Upper)	5,280 [kg]



- ⊙ Maximum theoretical values listed.
- ⊙ Photos and drawings are for illustrative purpose only
- ⊙ Dimension will vary with different truck makers, models and specifications
- ⊙ Right to make technical amendments reserved