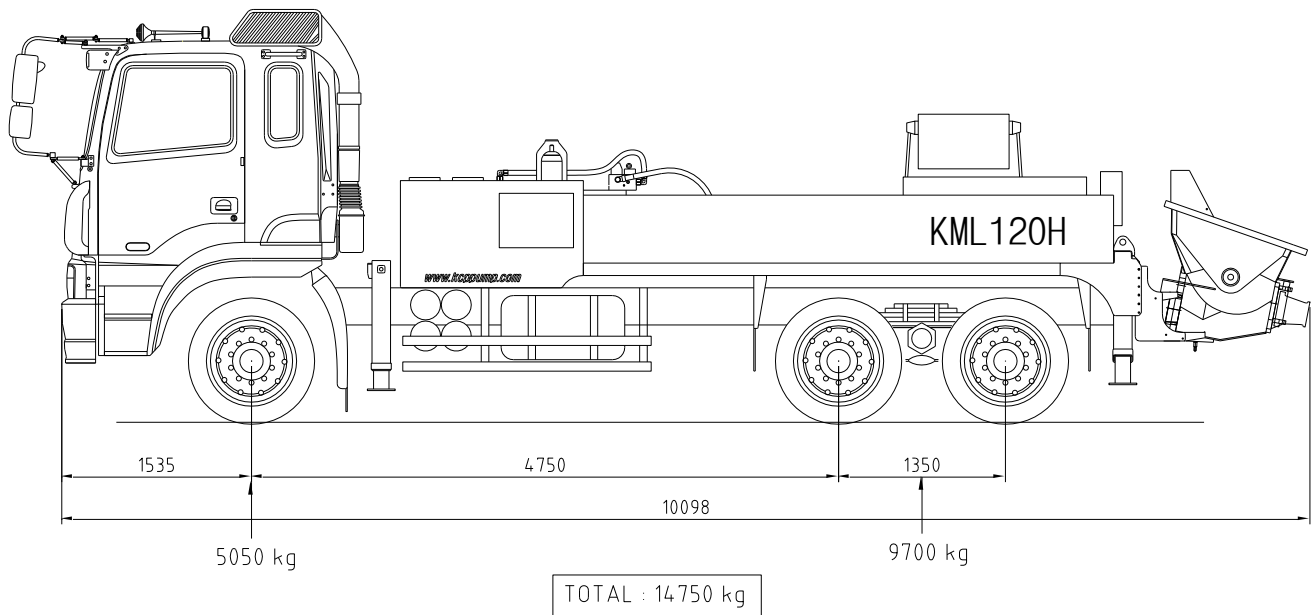


Our Pride ...

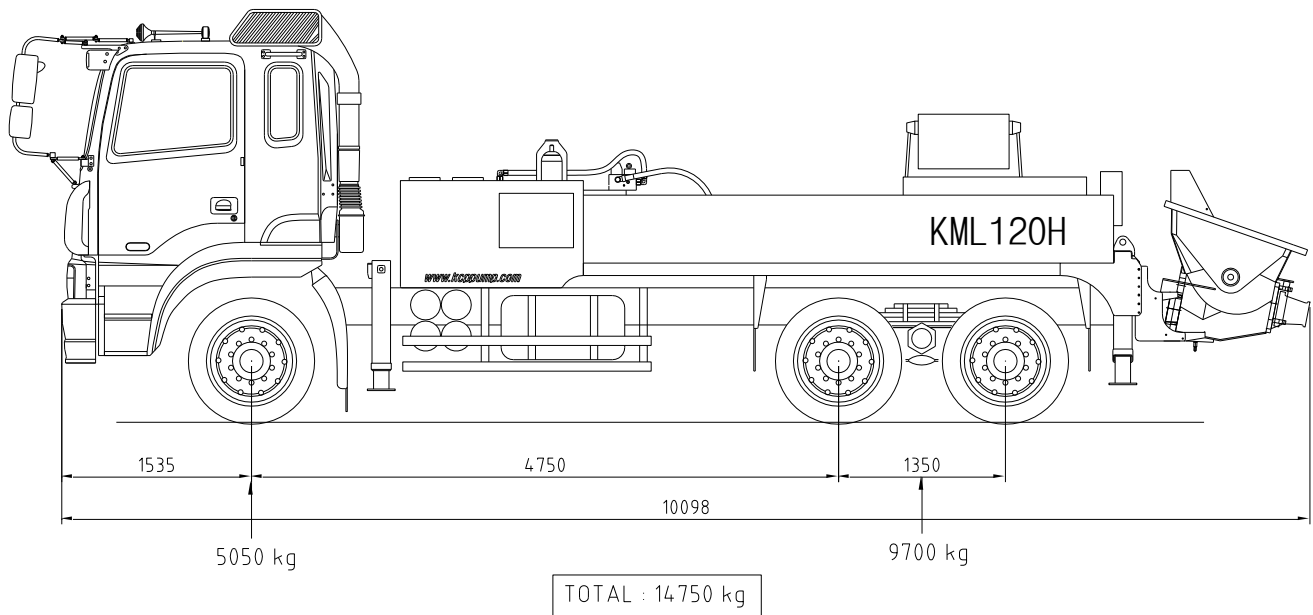
KML120H



<div style="display: flex; justify-content: space-between;"> ■ Pump specifications ■ Performance diagram </div>		
Engine RPM	1550 rpm	<p>270ps (200Kw)</p> <p>— HEAD SIDE - - - ROD SIDE</p>
Maximum output	80 m ³ /h(High) / 120 m ³ /h(low)	
Main cylinder	Ø140/ Ø80 × 2100 mm	
Concrete cylinder	Ø230 × 2100 mm	
Cycling system	Hydraulic with manual overrides	
Stroke per minute	16(High) / 23(low)	
Concrete pressure	130 bar(High) / 88 bar(low)	
Hopper capacity	0.6 m ³	
S – tube	Ø200 × Ø150	
Hydraulic pump	Rexroth-A11VLO260	
Max . aggregate size	40 mm	
Water tank volumn	450 L	
Horizontal distance	420 M	
Vertical distance	145 M	
Outrigger	Hydraulic vertical ext.	
<ul style="list-style-type: none"> ⊙ Truck specifications : HYUNDAI-HD16T-(EURO5) ⊙ Maximum theoretical values listed. ⊙ Photos and dwawings are for illustrative purpose only ⊙ Dimension will vary with different truck makers, models and specifications ⊙ Right to make technical amendments reserved 		

Our Pride ...

KML120H



<div style="display: flex; justify-content: space-between;"> ■ Pump specifications ■ Performance diagram </div>		
Engine RPM	1550 rpm	
Maximum output	61 m³/h(High) / 91 m³/h(low)	
Main cylinder	Ø140/ Ø80 × 2100 mm	
Concrete cylinder	Ø200 × 2100 mm	
Cycling system	Hydraulic with manual overrides	
Stroke per minute	16(High) / 23(low)	
Concrete pressure	172 bar(High) / 116 bar(low)	
Hopper capacity	0.6 m³	
S – tube	Ø200 × Ø150	
Hydraulic pump	Rexroth-A11VLO260	
Max . aggregate size	40 mm	
Water tank volumn	450 L	
Horizontal distance	420 M	
Vertical distance	145 M	
Outrigger	Hydraulic vertical ext.	
<ul style="list-style-type: none"> ⊙ Truck specifications : HYUNDAI-HD16T-(EURO5) ⊙ Maximum theoretical values listed. ⊙ Photos and dwawings are for illustrative purpose only ⊙ Dimension will vary with different truck makers, models and specifications ⊙ Right to make technical amendments reserved 		