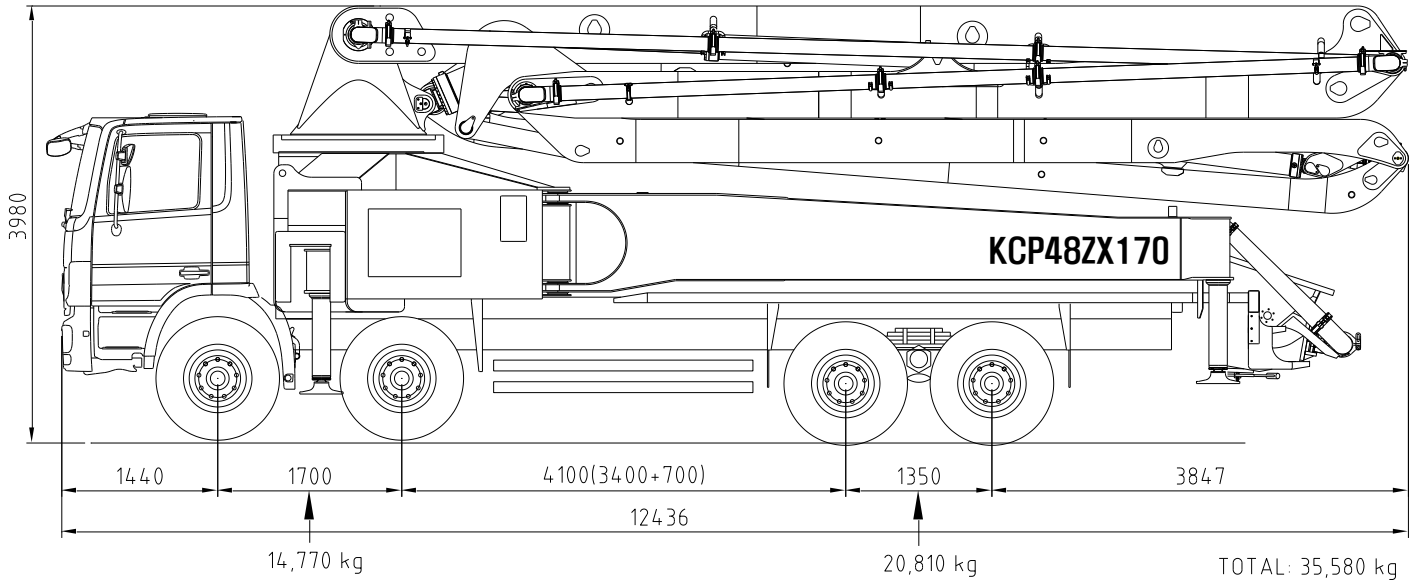


Our Pride ...

KCP48ZX170

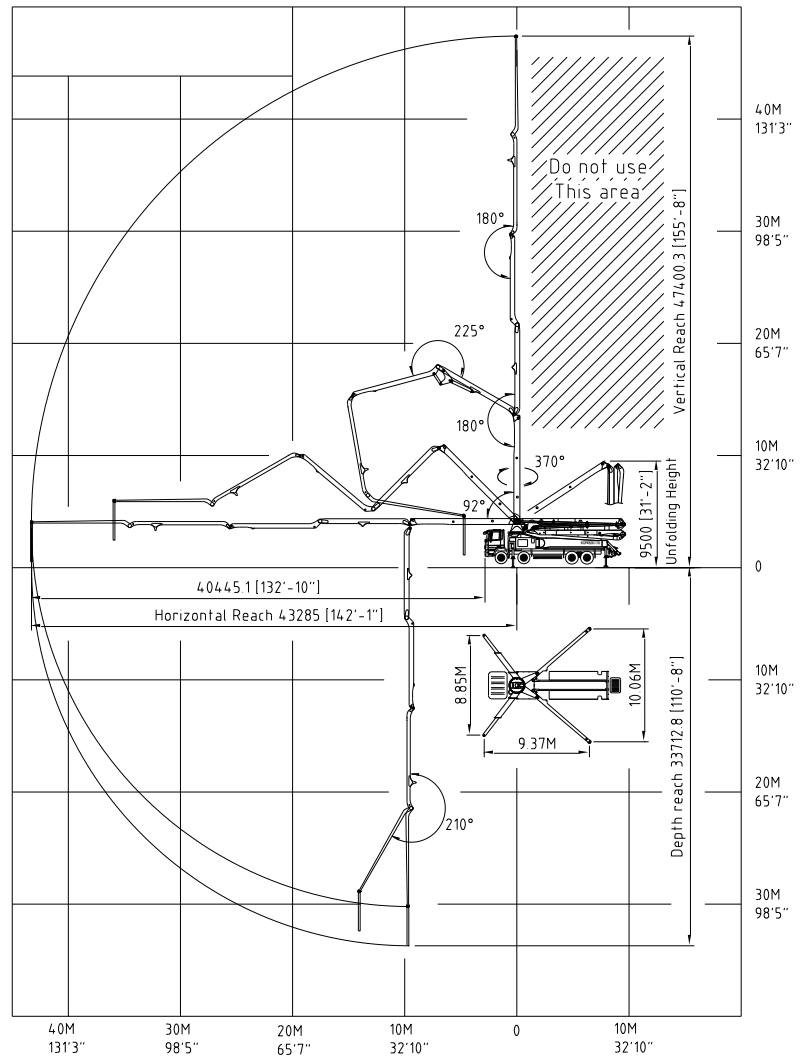


▣ Boom specifications

Vertical reach	47.4M
Horizontal reach	43.3M
Reach from front of truck	40.4M
Unfolding height	9.5 M
Section articulation	92°/180°/225°/180°/210°
Rotation	370°
Delivery line	125 mm
Proportional boom	Yes
End hose length	3.5M
Outrigger spread-front	8.85 M
Outrigger spread-rear	10.06 M
Max.outrigger weight	32,000kg

- ◎ Truck specifications : Mercedes BENZ4140 (EURO2)
- ◎ Maximum theoretical values listed.
- ◎ Photos and drawings are for illustrative purpose only
- ◎ Right to make technical amendments reserved

▣ Working diagram



▣ Pump specifications

Maximum output	170 m³/h
Concrete cylinder	Ø230×2100
Stroke per minute	32
Concrete pressure	87.5 bar
Hopper capacity	0.6 m³
S-tube	Ø200×Ø180
Hydraulic pump	Rexroth A20VLO190
Cycling system	Hydraulic with manual overrides
Max. aggregate size	40 mm